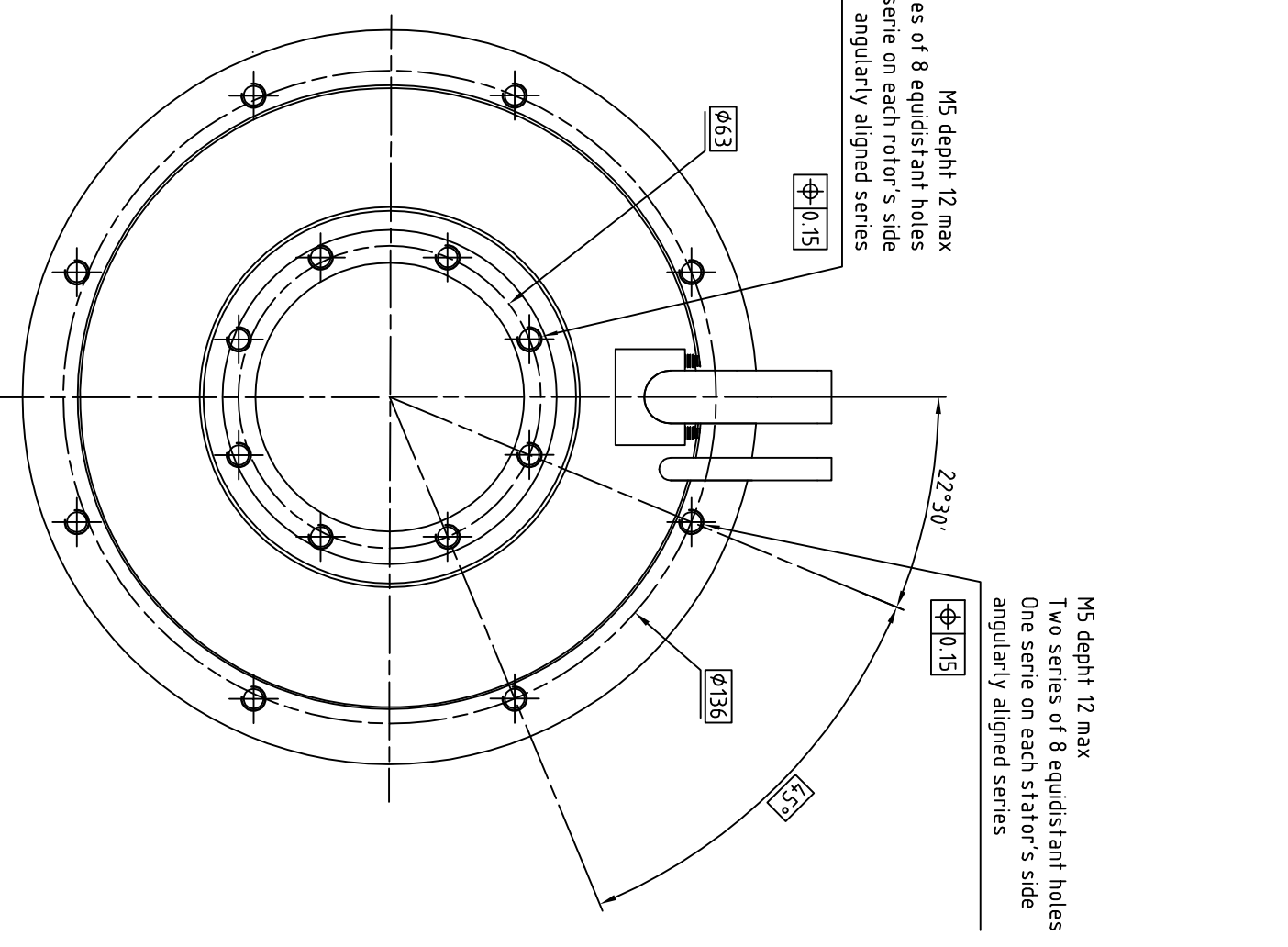
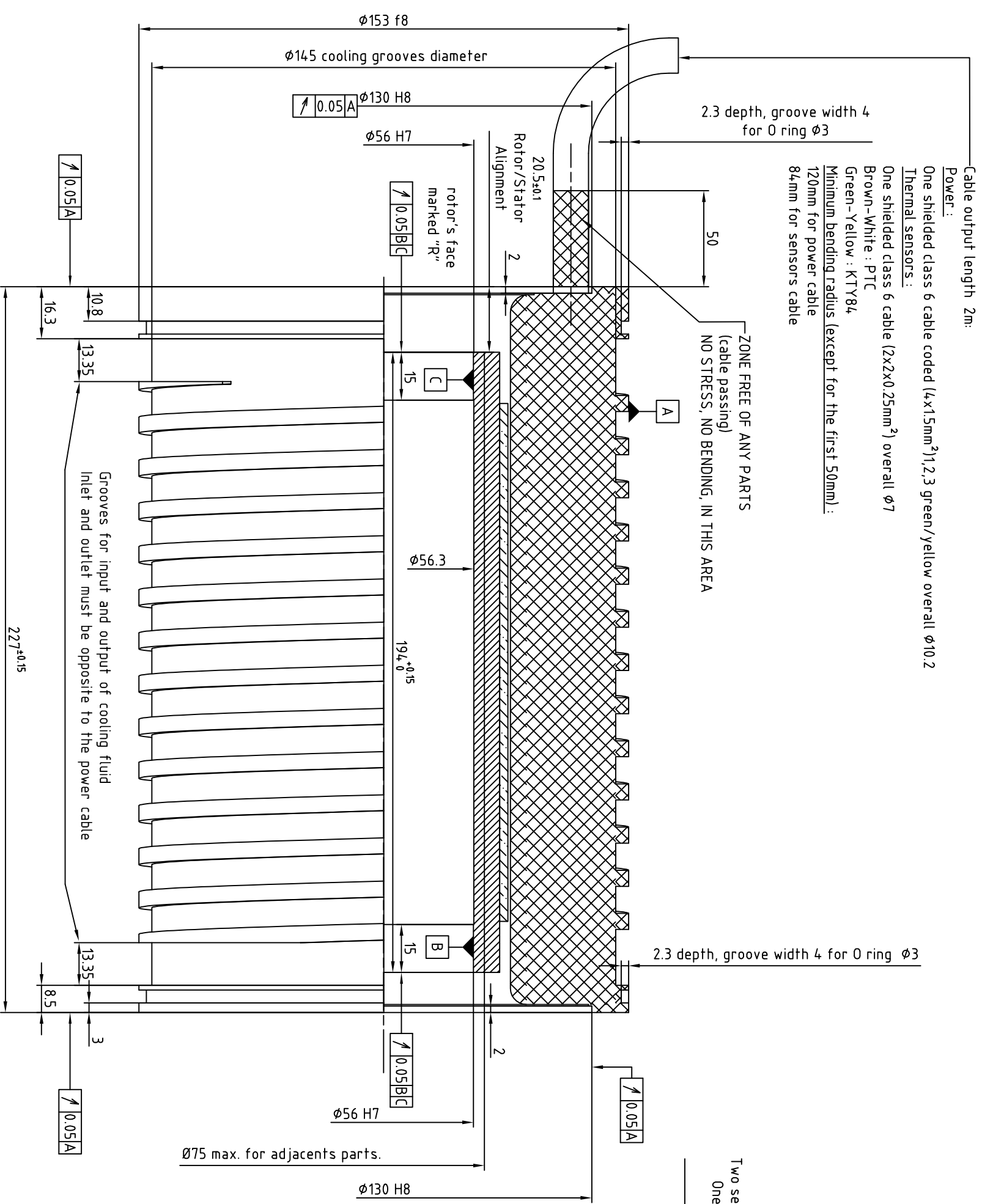


Cable output length 2m:

Power :
 One shielded class 6 cable coded (4x1.5mm²)/1,2,3 green/yellow overall ϕ 10.2

Thermal sensors :
 One shielded class 6 cable (2x2x0.25mm²) overall ϕ 7
 Brown-White : PTC
 Green-Yellow : KTY84
 Minimum bending radius (except for the first 50mm) :
 120mm for power cable
 84mm for sensors cable



CAUTION: For a better safety, it is recommended that the cooling fluid inlet would be made through the hose located on the side opposed to the cabling, while the cooling fluid outlet will be made by the one located on the cable side.

NOTA:
 Rotor is not fitted in the stator
 For more information about mounting see document 145STK0-WA002

ALXION

AUTOMATIQUE & PRODUCTIQUE
 Parc Technologique des Fossés Jean
 92712 COLOMBES Cedex
 Tél: 0141306304 - Fax: 0141306136

145STK6M2XXXXXX