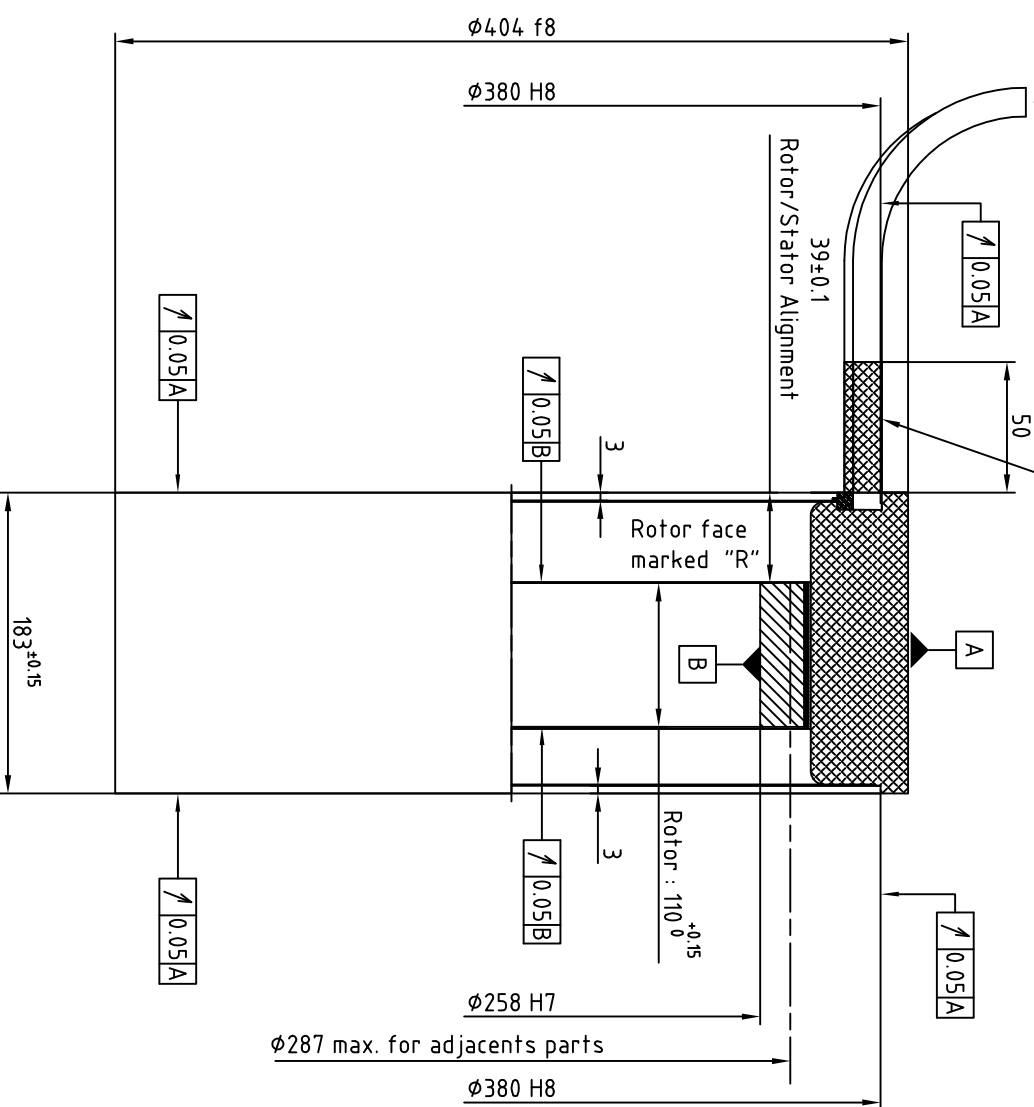


Cable output length 2m:

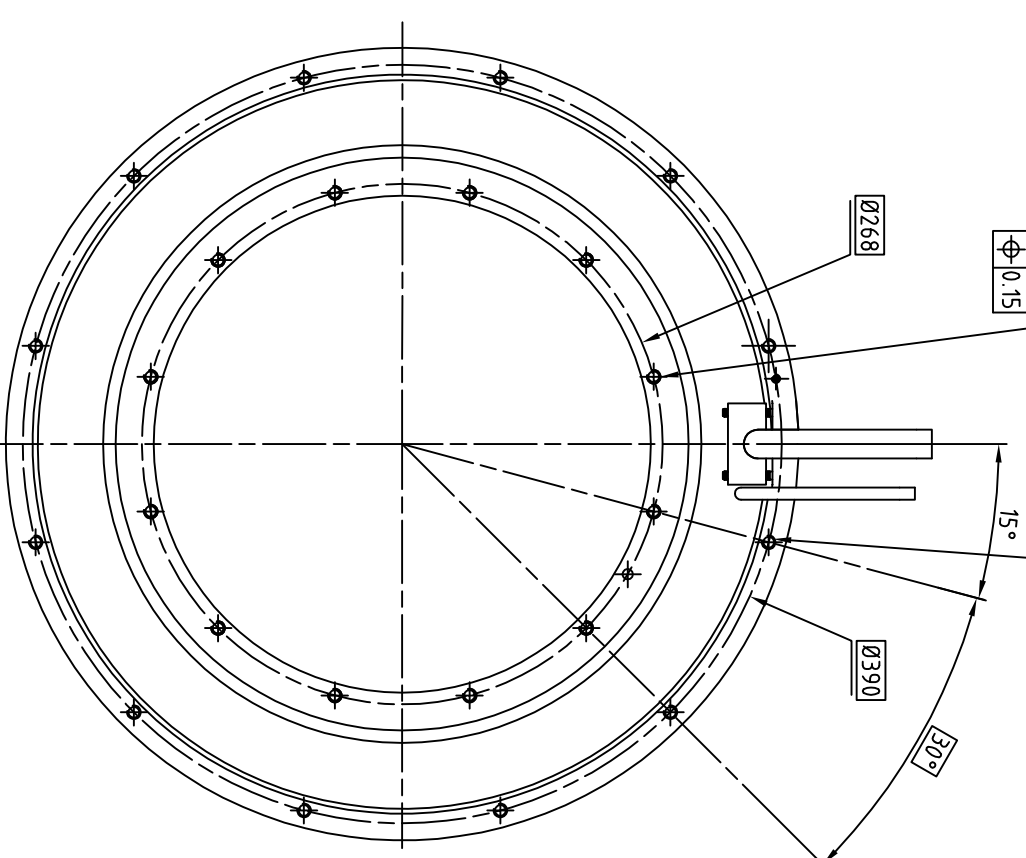
- Power :  
 One shielded class 6 cable coded 1,2,3 green/yellow  
 Thermal sensors :  
 One shielded class 6 cable (2x2x0.25mm<sup>2</sup>)  
 Brown-White : PTC  
 Green-Yellow : KTY84  
 Minimum bending radius (except for the first 50mm) :  
 See table

Cable	Ø	R min.
2x2x0.25	7	84
4x1.5	10.2	120
4x2.5	11.4	135
4x4	13.1	155
4x6	15.9	190
4x10	18.8	225

ZONE FREE OF ANY PART  
 (cable passing)  
 NO STRESS, NO BENDING, IN THIS AREA



2 series of 12 equidistant holes M6  
 One serie on each rotor face  
 Angularly aligned series



2 series of 12 equidistant holes M6  
 One serie on each stator face  
 Angularly aligned series

- Nota:
- This drawing is valid only for motors with nominal current lower than 72 Amps.
  - If the nominal current is greater than 72 Amps, please contact us.
  - Rotor is not fitted in the stator
- For more information about mounting see document 400STK0-WA002

# ALXION

AUTOMATIQUE & PRODUCTIQUE  
 Parc Technologique des Fossés Jean  
 92712 COLOMBES Cedex  
 Tél: 0141306304 - Fax: 0141306136

400STK4M1XXXXXX