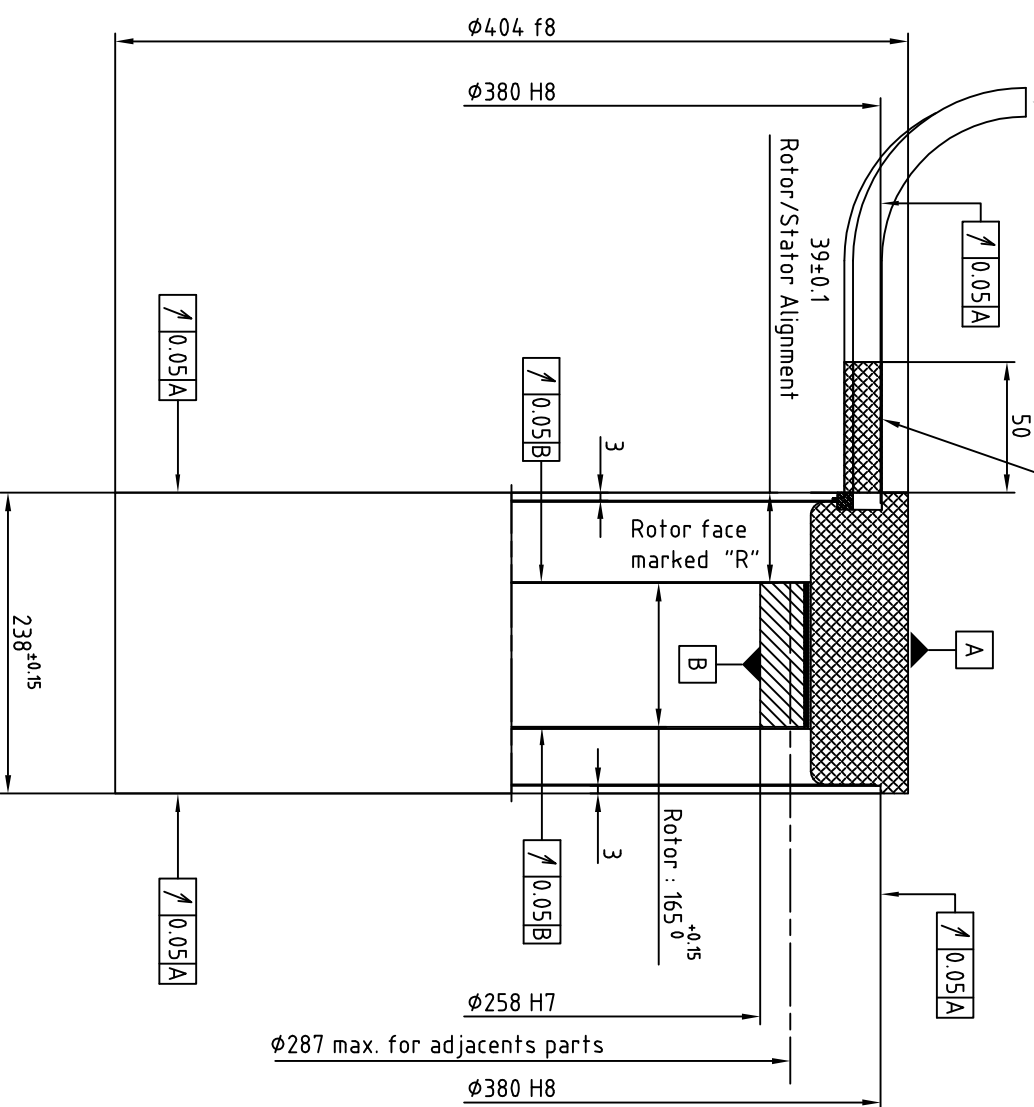


Cable output length 2m:

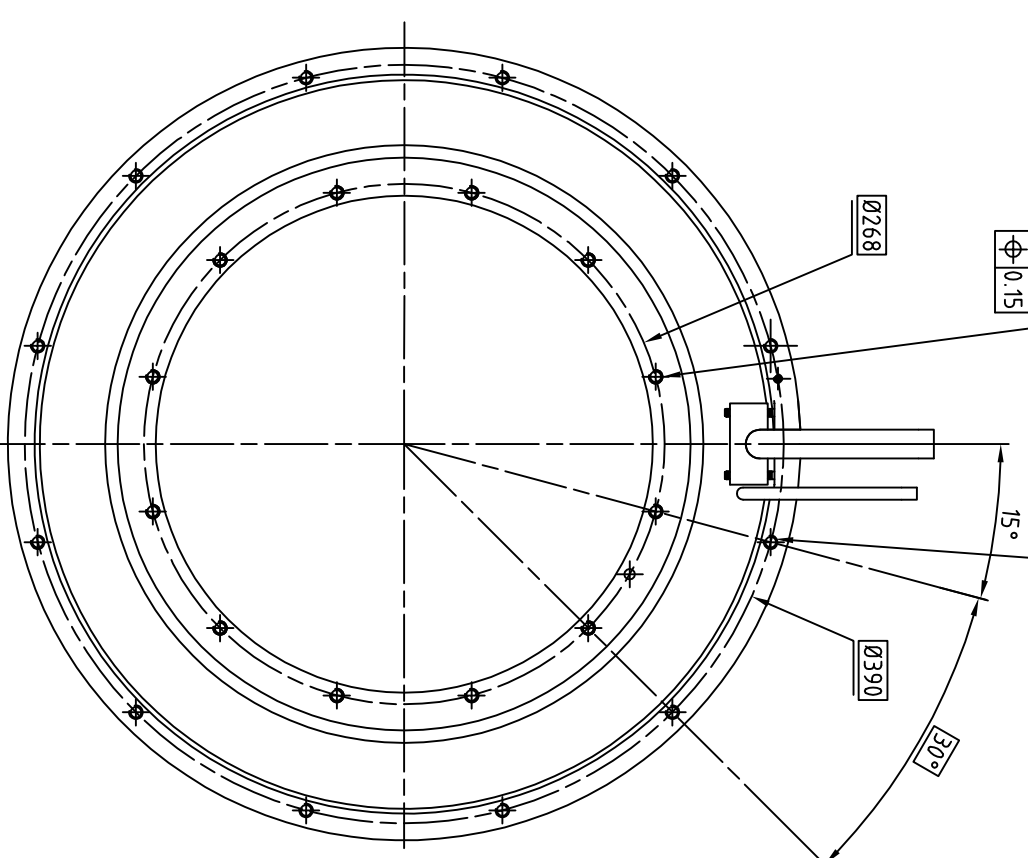
- Power :
 One shielded class 6 cable coded 1,2,3 green/yellow
 Thermal sensors :
 One shielded class 6 cable (2x2x0.25mm²)
 Brown-White : PTC
 Green-Yellow : KTY84
 Minimum bending radius (except for the first 50m) :
 See table

Cable	Ø	R min.
2x2x0.25	7	84
4x1.5	10.2	120
4x2.5	11.4	135
4x4	13.1	155
4x6	15.9	190
4x10	18.8	225

ZONE FREE OF ANY PART
 (cable passing)
 NO STRESS, NO BENDING, IN THIS AREA



2 series of 12 equidistant holes M6
 One serie on each rotor face
 Angularly aligned series



2 series of 12 equidistant holes M6
 One serie on each stator face
 Angularly aligned series

- Nota:
- This drawing is valid only for motors with nominal current lower than 72 Amps.
 - If the nominal current is greater than 72 Amps, please contact us.
 - Rotor is not fitted in the stator
- For more information about mounting see document 400STK0-WA002

ALXION

AUTOMATIQUE & PRODUCTIVE
 Parc Technologique des Fossés Jean
 92712 COLOMBES Cedex
 Tél: 0141306304 - Fax: 0141306136

400STK6M1XXXXXX