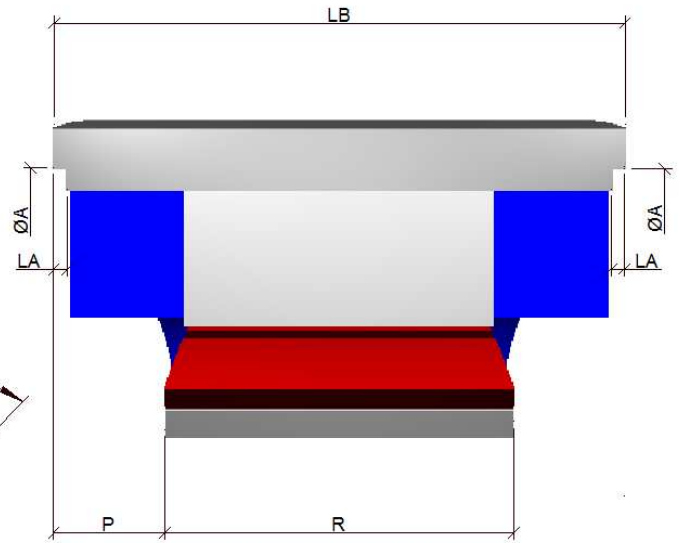
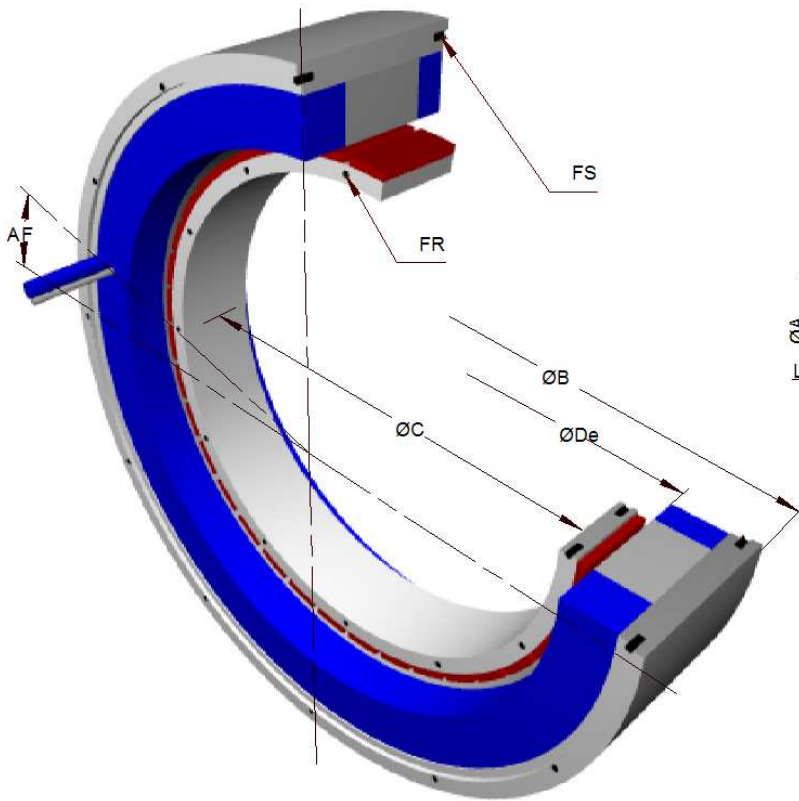


ALTERNATORS 300 STK



		300STK1M	300STK2M	300STK3M	300STK4M	300STK5M	300STK6M	300STK7M	300STK8M
Housing internal centering diameter	A H8	282	282	282	282	282	282	282	282
Angle wire output / tapped holes	AF	15°	15°	15°	15°	15°	15°	15°	15°
Housing external centering diameter	B Ø	303	303	303	303	303	303	303	303
Rotoric internal centering diameter	C H7	190	190	190	190	190	190	190	190
Housing internal diameter	De	228	228	228	228	228	228	228	228
Rotoric fixation holes	FR	12xM5 sur Ø199	12xM5 sur Ø199	12xM5 sur Ø199	12xM5 sur Ø199	12xM5 sur Ø199	12xM5 sur Ø199	12xM5 sur Ø199	12xM5 sur Ø199
Housing fixation holes	FS	12xM5 sur Ø290	12xM5 sur Ø290	12xM5 sur Ø290	12xM5 sur Ø290	12xM5 sur Ø290	12xM5 sur Ø290	12xM5 sur Ø290	12xM5 sur Ø290
Depth of housing internal centering diameter	LA	3	3	3	3	3	3	3	3
Housing length	LB ±0.15	87.5 (117.5)	115 (145)	142.5 (172.5)	170 (200)	197.5 (227.5)	225 (255)	252.5 (282.5)	280 (310)
Alignment rotor / housing	P ± 0.1	34.5 (64.5)	34.5 (64.5)	34.5 (64.5)	34.5 (64.5)	34.5 (64.5)	34.5 (64.5)	34.5 (64.5)	34.5 (64.5)
Maximum rotoric contact diameter	Pmax	213	213	213	213	213	213	213	213
Rotor length	R +0.15	27.5	55	82.5	110	137.5	165	192.5	220
Number of poles (number of pairs of poles)		24 (12)	24 (12)	24 (12)	24 (12)	24 (12)	24 (12)	24 (12)	24 (12)

INTEGRATION :

- ✓ The cables are made of PU, class 6, foreseen for cable-bearing chains, 2 mt standard length, copper square section according rated current.
- ✓ Rotor / housing alignment (P) has to be executed within +/- 0.1 mm. Optionally, we can supply a mounting tool for achieving that alignment in case of assembly without possibility of accurate alignment.
- ✓ Thermal device cable consists of a shielded pair 2x2x0.25mm² section, 7mm external diameter.
- ✓ (De) represents:
 - 1- The maximum diameter passing inside the housing.
 - 2- The maximum diameter necessary for rotor assembly.
- ✓ (Pmax) diameter for pieces in contact with the rotor must never be exceeded.
- ✓ Tapped holes on each side of rotor and housing are angularly aligned.
- ✓ Cable positioning (AF) is theoretical. Leave a free room with a +/- 10 arc degrees tolerance around that position, on a 50 mm height from the housing side, for avoiding to force the cables at the alternator output.
- ✓ When designing the assembly, take care to insure a perfect contact between housing and user's bore for avoiding thermal problems.
- ✓ For housing mounting, use either external centering diameter (B) or internal centering diameters (A).
- ✓ For execution tolerances (perpendicularity, concentricity...), please consult us.
- ✓ In red in the table : P, LB, J4 and E3 are 30mm higher when the rated current is greater than 38 amps for class 6 shielded cable output.
We also propose an output with unshielded wires that is not requiring an increase of length. (contact us for square section)

A full integration handbook can be supplied to our customers upon request
For further information or specific request about our alternators, feel free to contact us.