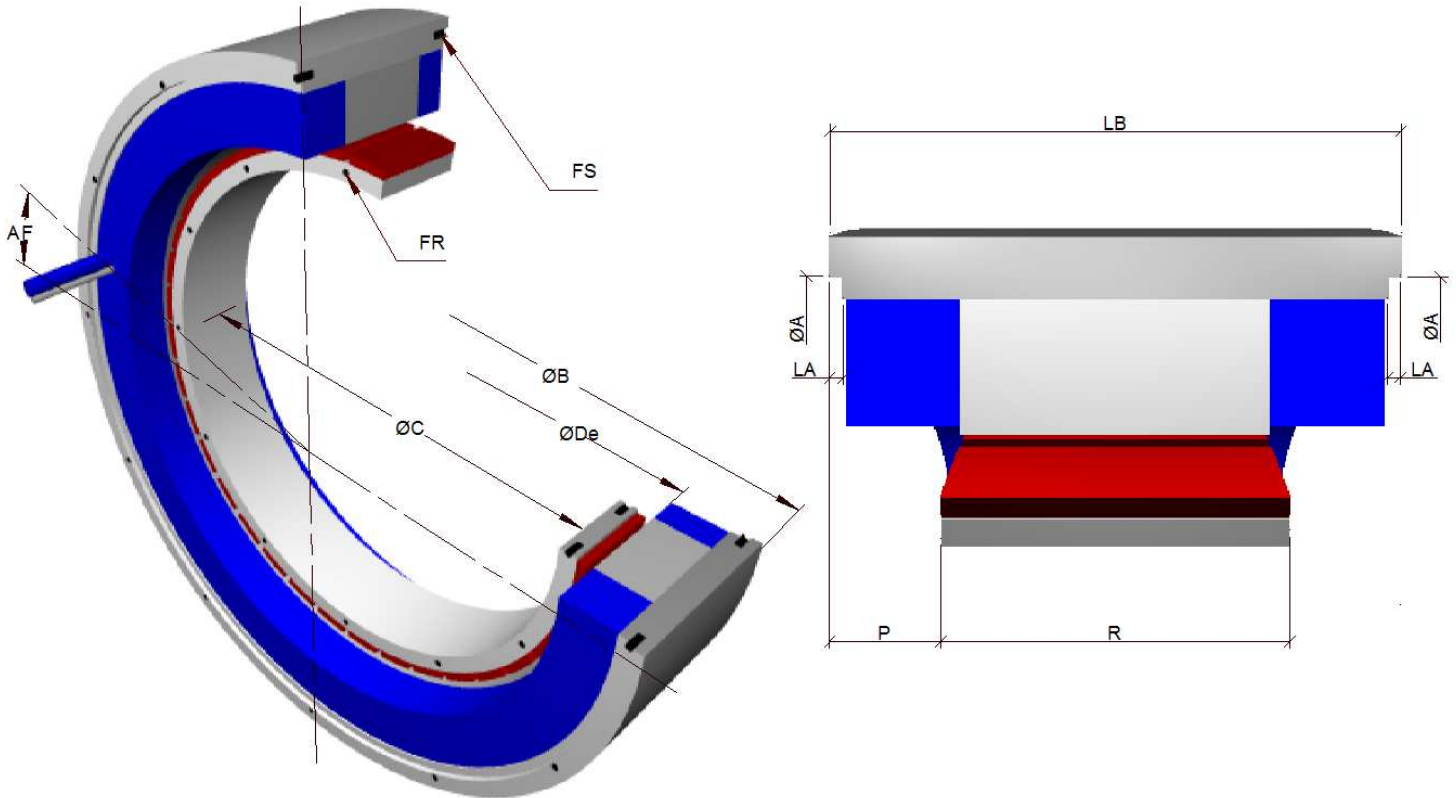


ALTERNATORS 500 STK



		500STK1M	500STK2M	500STK3M	500STK4M	500STK5M	500STK6M	500STK7M	500STK8M	500STK9M
Housing internal centering diameter	A H8	470	470	470	470	470	470	470	470	470
Angle wire output / tapped holes	AF	15°	15°	15°	15°	15°	15°	15°	15°	15°
Housing external centering diameter	B Ø	502	502	502	502	502	502	502	502	502
Rotoric internal centering diameter	C H7	350	350	350	350	350	350	350	350	350
Housing internal diameter	De	403	403	403	403	403	403	403	403	403
Rotoric fixation holes	FR	12xM8 sur Ø364	12xM8 sur Ø364	12xM8 sur Ø364	12xM8 sur Ø364	12xM8 sur Ø364	12xM8 sur Ø364	12xM8 sur Ø364	12xM8 sur Ø364	12xM8 sur Ø364
Housing fixation holes	FS	12xM8 sur Ø482	12xM8 sur Ø482	12xM8 sur Ø482	12xM8 sur Ø482	12xM8 sur Ø482	12xM8 sur Ø482	12xM8 sur Ø482	12xM8 sur Ø482	12xM8 sur Ø482
Depth of housing internal centering diam	LA	3	3	3	3	3	3	3	3	3
Housing length	LB ±0.15	93 (133)	120.5 (160.5)	148 (188)	175.5 (215.5)	203 (243)	230.5 (270.5)	258 (298)	285.5 (325.5)	313 (353)
Alignment rotor / housing	P ± 0.1	37 (77)	37 (77)	37 (77)	37 (77)	37 (77)	37 (77)	37 (77)	37 (77)	37 (77)
Maximum rotoric contact diameter	Pmax	384	384	384	384	384	384	384	384	384
Rotor length	R +0.15	27.5	55	82.5	110	137.5	165	192.5	220	247.5
Number of poles (number of pairs of poles)		36 (18)	36 (18)	36 (18)	36 (18)	36 (18)	36 (18)	36 (18)	36 (18)	36 (18)

INTEGRATION :

- ✓ The cables are made of PU, class 6, foreseen for cable-bearing chains, 2 mt standard length, copper square section according rated current.
- ✓ Rotor / housing alignment (P) has to be executed within +/- 0.1 mm. Optionally, we can supply a mounting tool for achieving that alignment in case of assembly without possibility of accurate alignment.
- ✓ Thermal device cable consists of a shielded pair 2x2x0.25mm² section, 7mm external diameter.
- ✓ (De) represents:
 - 1- The maximum diameter passing inside the housing.
 - 2- The maximum diameter necessary for rotor assembly.
- ✓ (Pmax) diameter for pieces in contact with the rotor must never be exceeded.
- ✓ Tapped holes on each side of rotor and housing are angularly aligned.
- ✓ Cable positioning (AF) is theoretical. Leave a free room with a +/- 10 arc degrees tolerance around that position, on a 50 mm height from the housing side, for avoiding to force the cables at the alternator output.
- ✓ When designing the assembly, take care to insure a perfect contact between housing and user's bore for avoiding thermal problems.
- ✓ For housing mounting, use either external centering diameter (B) or internal centering diameters (A).
- ✓ For execution tolerances (perpendicularity, concentricity...), please consult us.
- ✓ In **red** in the table : P, LB, J4 and E3 are 40mm higher when the rated current is greater than 53 amps for class 6 shielded cable output.
We also propose an output with unshielded wires that is not requiring an increase of length. (contact us for square section)

A full integration handbook can be supplied to our customers upon request
For further information or specific request about our alternators, feel free to contact us.